

9071

11.2021

Sanimulti



EN Macerator pump • Operating/installation manual



CONTENTS

| | |
|--|-----------|
| 1. SAFETY | 3 |
| 2. RECOMMENDEND USE | 3 |
| 3. DESCRIPTION | 3 |
| 3.1 TECHNICAL DATA | 3 |
| 3.2 FLOW CHARACTERISTICS | 3 |
| 3.3 PUMPING DISTANCE PERFORMANCE | 3 |
| 3.4 DIMENSIONS..... | 3 |
| 4. INSTALLATION | 4 |
| 4.1 CONNECTING P TRAP, WALL FACE OR WALL-MOUNTED PAN INSTALLATION..... | 4 |
| 4.2 IMPORTANT REMOVING ACCESSORIES | 4 |
| 4.3 RELOCATING PAN INLET CONNECTOR | 5 |
| 4.4 PUMP LINE CONNECTION | 7 |
| 4.5 VENTING..... | 7 |
| 4.6 ADDITIONAL CONNECTIONS | 9 |
| 4.7 FIXING..... | 10 |
| 4.8 CONNECTING A SHOWER | 10 |
| 4.9 HIGH LEVEL CONTROL SANIALARM INTERLOCK CONNECTION (OPTIONAL)..... | 11 |
| 5. TROUBLE SHOOTING GUIDE | 11 |
| 6. WARRANTY | 11 |

1. SAFETY



DISCONNECT ELECTRICAL POWER BEFORE WORKING ON THE PUMP !

Plumbers/Contractors, please ensure a copy of the installation instructions is left with the end user for future reference.

2. RECOMMEND USE

The Sanimulti is a compact versatile macerator pump designed for light - medium commercial use. The unit is designed to receive and pump away waste water from a WC, bath, shower & basin.

NOTICE



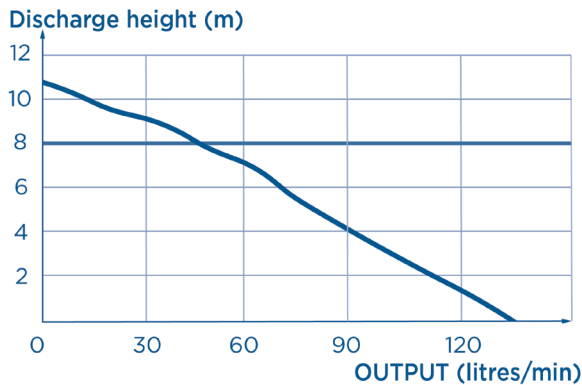
- DO NOT dispose of solvents, paints, turps, caustic acid, or other corrosive acids or cleaners.
- DO NOT dispose of hot water in excess of 60°C.
- DO NOT use cleaning products that produce excessive foam, this may cause motor damage.
- DO NOT install in a hairdressing salon without the use of a hair trap first.
- DO NOT dispose of paper hand towels, sanitary napkins or wet wipes .
- DO NOT dispose of foreign objects or use excessive amounts of toilet paper .

3. DESCRIPTION

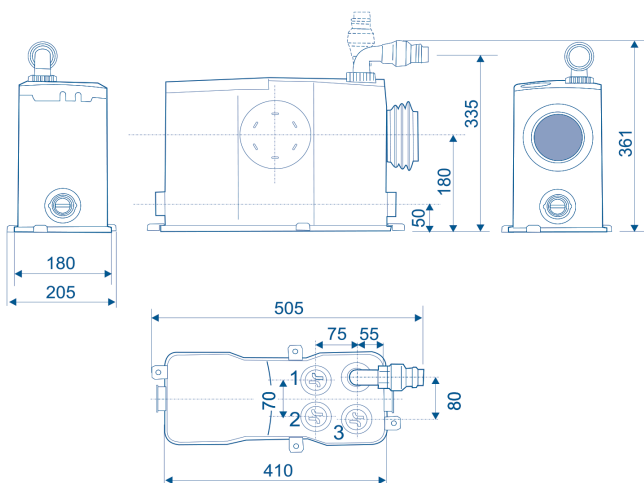
3.1 TECHNICAL DATA

| | | | |
|------------------------------|---|-------------------------------|-----------------------------------|
| Product Code and Description | SA222 - Sanimulti light commercial macerator pump | Inlets | 3 + 2 optional |
| Electrical Power Supply | 220 - 240 V 50 Hz | Recommended Waster Water pipe | DN25 |
| Nominal Current | 2.5 A | Inlet Diameter | DN100 - 40mm |
| Motor Power Rating | 560 W | Venting | Optional external vent connection |
| Vertical Pumping Height | Up to 8 meters | Alarm | Included |
| Horizontal Pumping Distance | Up to 70 meters | Casing | White |
| Maximum Temperature | 40 °C | Dimensions | 505 x 361 x 205 mm (W x H x D) |

3.2 FLOW CHARACTERISTICS



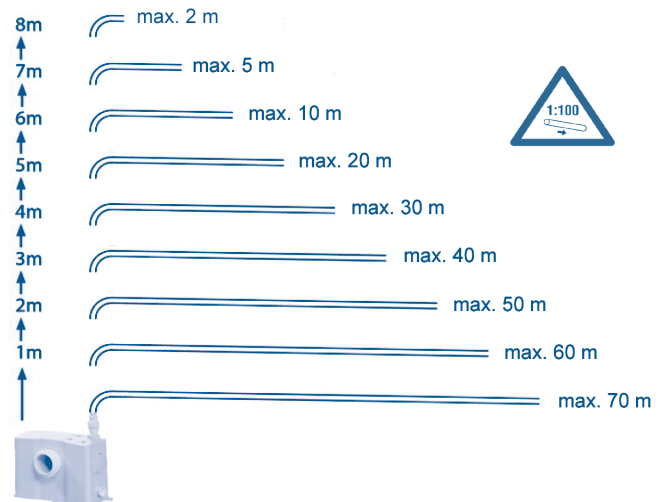
3.4 DIMENSIONS



3.3 PUMPING DISTANCE PERFORMANCE

NOTE

1% fall minimum required on the horizontal run.
Pipe size must be increased by 1 size minimum after the first 5 meters of horizontal run.



4. INSTALLATION

- The macerator pump should be installed to allow full access in the event that servicing or removal is required. Where the unit is concealed in the wall cavity a 500mm access panel must be provided
- The unit must be located on the same floor as the fittings it is to service.
- All incoming pipework must have a constant gradient of 1:40.
- The unit has 2 lower lateral inlet ports. If an inlet is not in use, cap off the inlet with side plug.
- The top of the unit has a dedicated vent point with interated carbon filter to neutralise odors, this point can also be used as optional external vent to atmosphere connection point.
- Where possible, venting should always be consistent to current plumbing venting requirements as per AS 3500.
- Before commissioning the unit, make sure all connections are secure and water tight.
- The electrical installation should be carried out by a registered electrician in accordance with AS/NZS 3000.
- AAV valves are not an alternative to venting to atmosphere as the unit needs to have two way venting for correct activation function.

4.1 CONNECTING P TRAP, WALL FACE OR WALL-MOUNTED PAN INSTALLATION

In delivered condition the pump comes assembled with the toilet connection already prepared side entry (Fig 1), use supplied pan connector for standard P trap toilet suite or to connect to 100 mm DWV pipe for remote installation (wall hung pan etc.). If direct connection to toilet pan is required configuration can be changed to (Fig 2).

Fig 1:

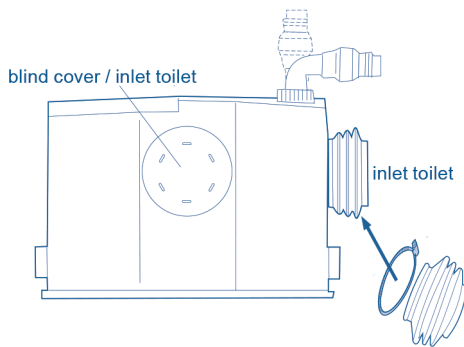
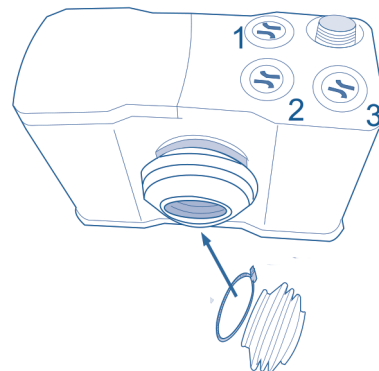
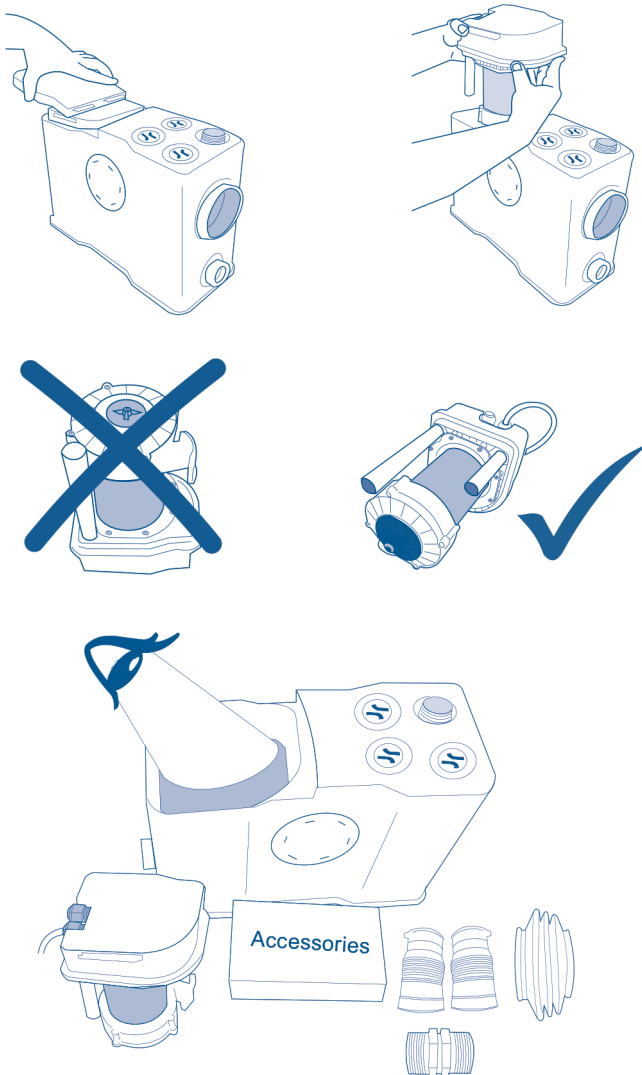


Fig 2:

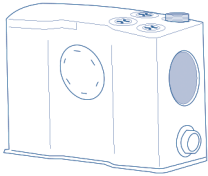
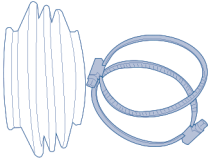
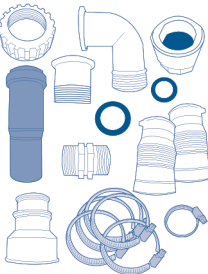
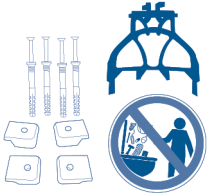


4.2 IMPORTANT REMOVING ACCESSORIES



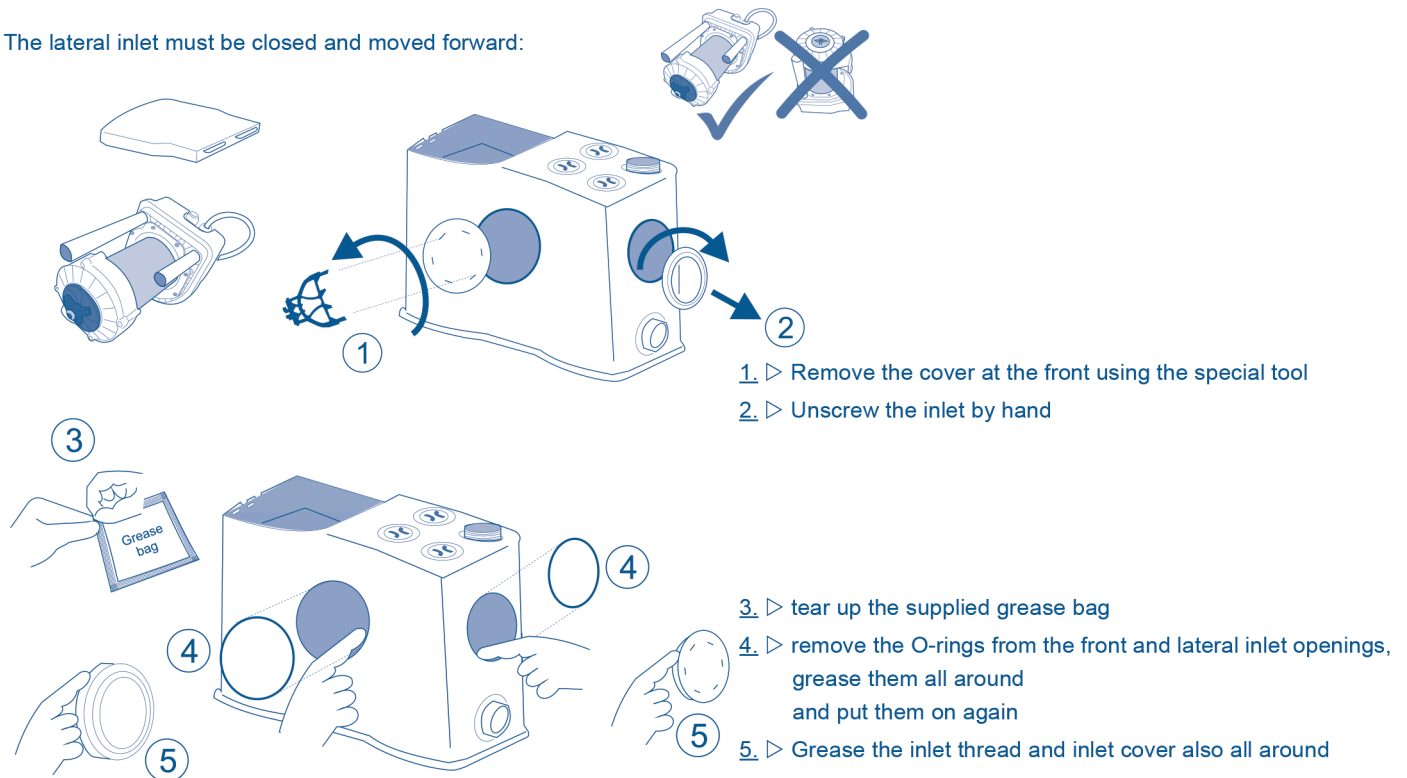
NOTE

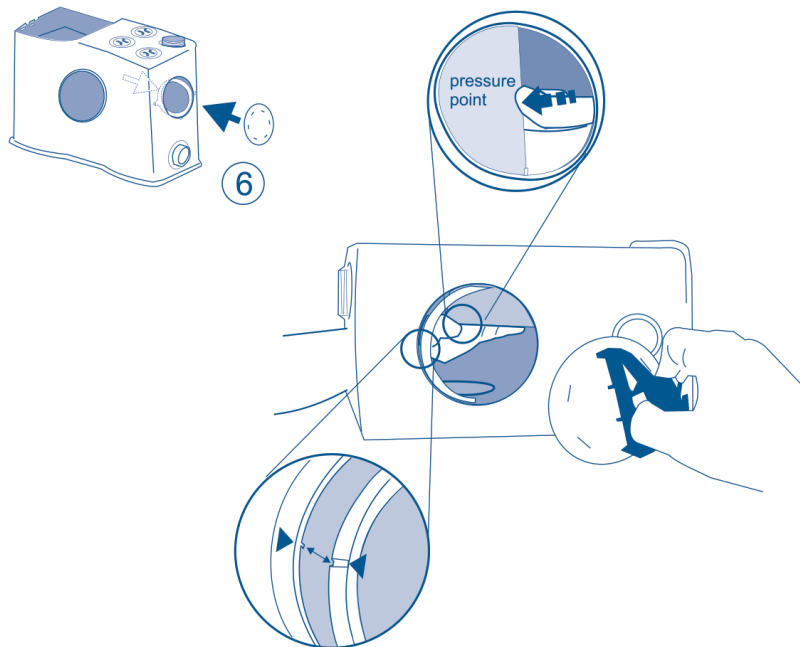
Check to see that all accessory parts are taken out of the pump unit !

| Unit | Individual part | Fig. |
|---|--|--|
| Small lifting unit with complete comminutor | <ul style="list-style-type: none"> Collecting tank incl. pump with comminutor and connecting cable, 1.3 m long (connected to the pump motor) potential-free contact with 0.25 m cable |  |
| Accessories | <ul style="list-style-type: none"> Sealing sleeve DN 85 2 x hose clips 80-100 |  |
| | <ul style="list-style-type: none"> Union nut Pressure socket M32 x 2 Pressure outlet 1¼" internal thread 90° elbow Safety nut with check valve HT long sleeve DN 40 Double nipple 1¼" 1 x rubber flat seal DN 40 1 x rubber flat seal DN 32 2 x sealing sleeves DN 40 Multi hose connection DN 28 DN 32 5 x hose clips 40-60 1 x hose clip 25-40 |  |
| | <ul style="list-style-type: none"> 4 x buoyancy control with 4 nail plugs Extraction tool for the inlets Sticker |  |

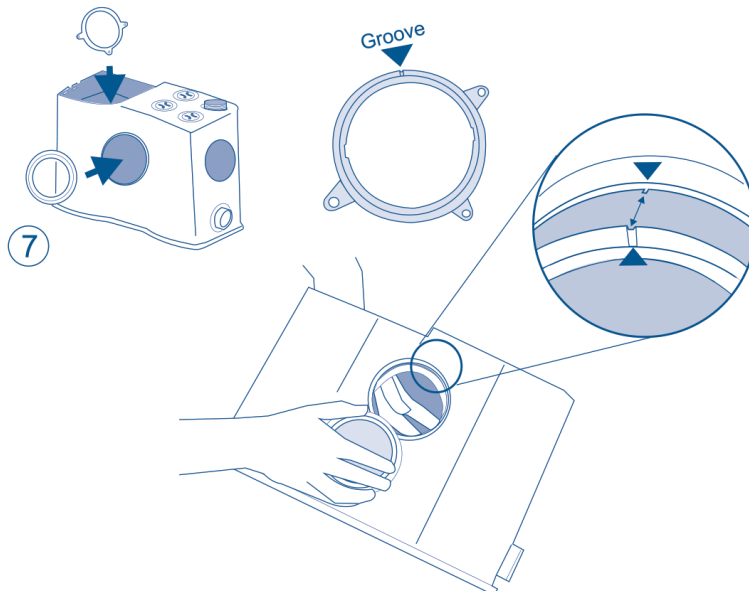
4.3 RELOCATING PAN INLET CONNECTOR

The lateral inlet must be closed and moved forward:

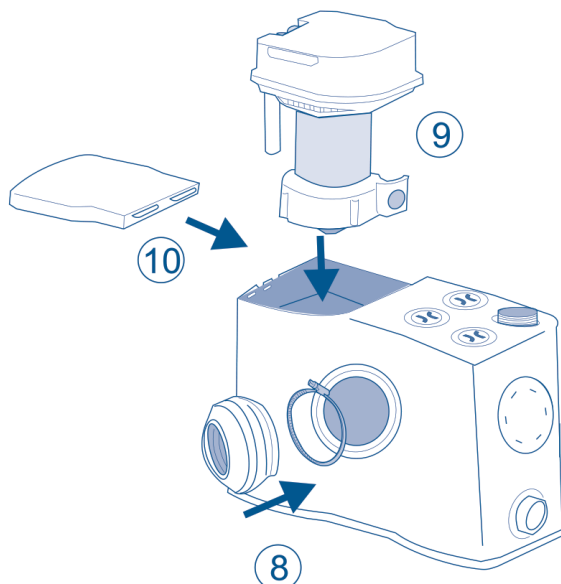




6. ▷ counterhold the separation wall at the pressure point and fix it in such a way that the groove of the inner threaded ring snaps in at the bar in the inlet opening. Now the cover can be screwed in using the special tool



7. ▷ Here, too, pay attention to the correct position of the threaded ring; the groove faces towards the front; screw in the inlet by hand



8. ▷ install the sealing sleeve DN 85 and the hose clip 80 - 100 at the front, tighten the clip

9. ▷ Insert the pump

10. ▷ Close the cover

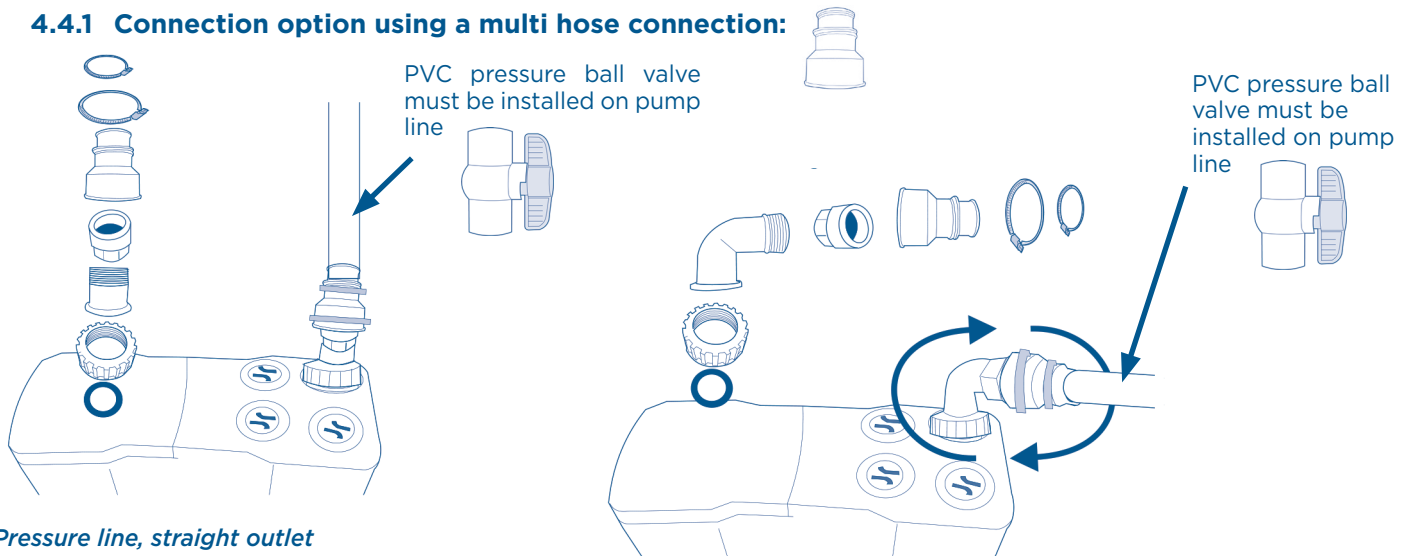
4.4 PUMP LINE CONNECTION

The pressure line is fed out at the top from the device.

According to the installation conditions, the pressure outlet can be fed out straight or by using a 90° elbow. Using the included hose clips, the pressure line is connected and fixed. The pressure line must have a minimum internal diameter of 20 mm.

The correct installation position of the discharge elbow with integrated non-return valve must be observed. A PVC pressure ball must be installed on the pump line for isolation to facilitate servicing.

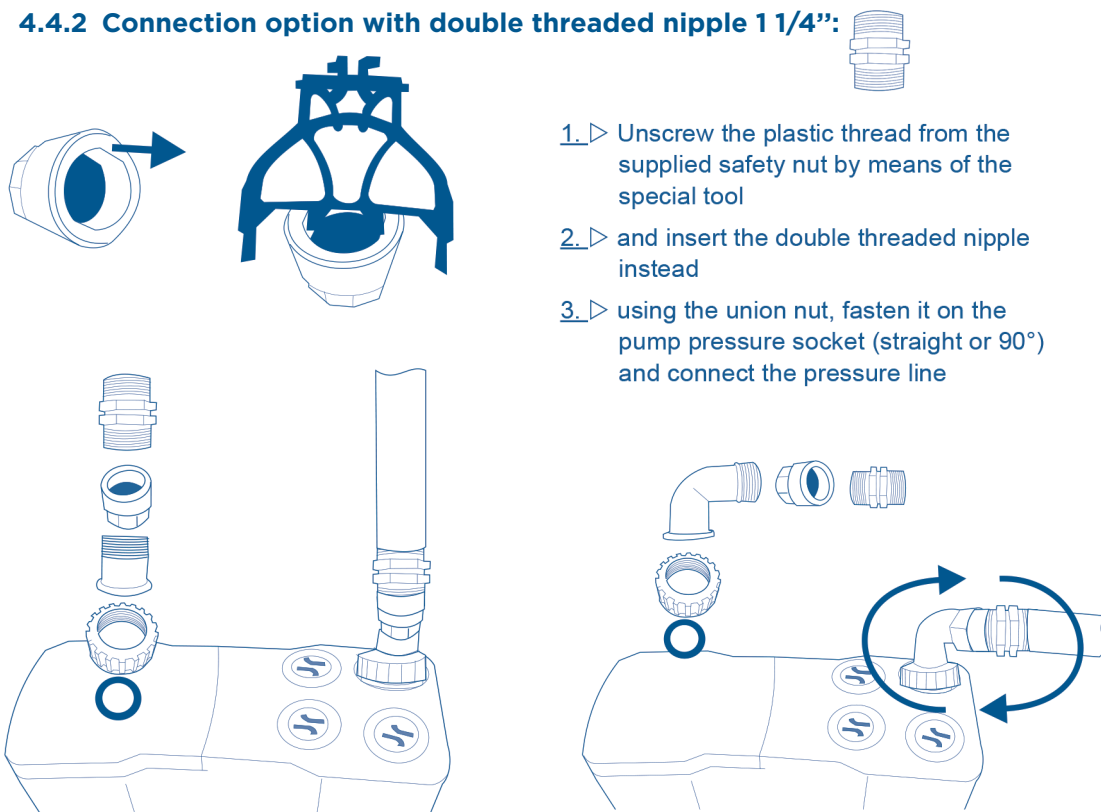
4.4.1 Connection option using a multi hose connection:



Pressure line, straight outlet

Pressure line, outlet with 90° elbow, can be turned to any directions

4.4.2 Connection option with double threaded nipple 1 1/4":



- 1.▷ Unscrew the plastic thread from the supplied safety nut by means of the special tool
- 2.▷ and insert the double threaded nipple instead
- 3.▷ using the union nut, fasten it on the pump pressure socket (straight or 90°) and connect the pressure line

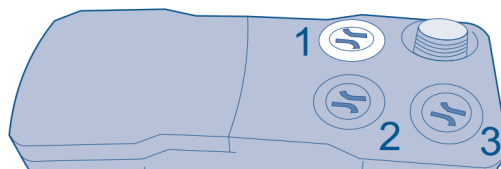
Pressure line, straight outlet

Pressure line, outlet with 90° elbow, can be turned to any directions

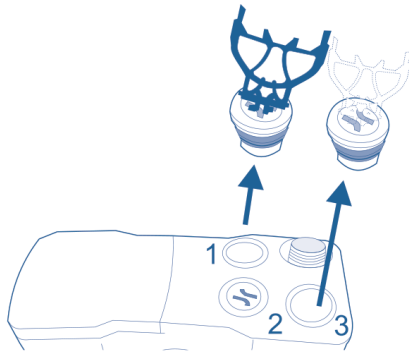
4.5 VENTING

This pump comes with an integrated active carbon filter with anti flood valve, the active carbon in the filter is designed to neutralize odor emitted during the course of normal hydraulic function. Where possible, venting should always be consistent to current plumbing venting requirements as per AS 3500.

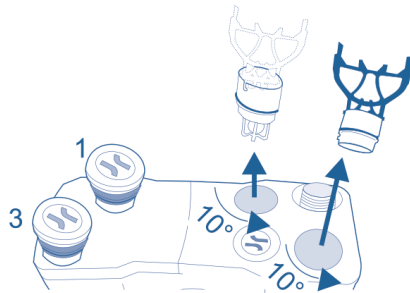
Position of venting (with activated carbon) upon delivery:



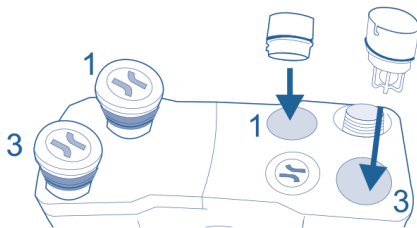
Changing the venting position:



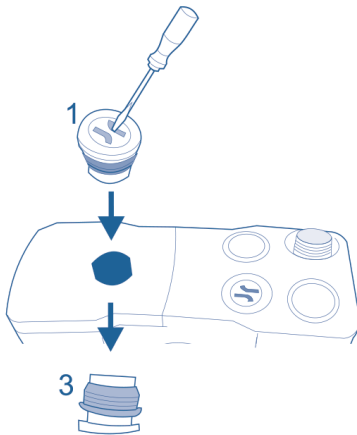
1. ▷ using the special tool, take out the two upper inlet covers, position 1 and e.g. position 3 (the position numbers 1, 2 and 3 can be seen inside the inlet covers)



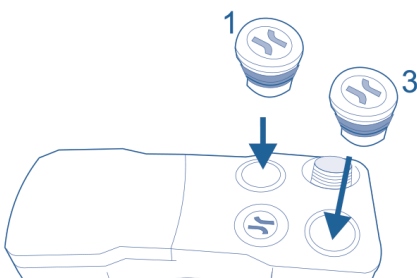
2. ▷ take out the inner valve insert with ball and the inner inlet insert. To do so, insert the special tool inside the groove, turn it anti-clockwise by 10° and pull it out



3. ▷ now insert the valve insert with ball by hand into the inner groove (position 3) and, using the special tool, tighten it by turning it approx. 10° clockwise. Likewise, insert the inner inlet insert to position 1 and tighten it



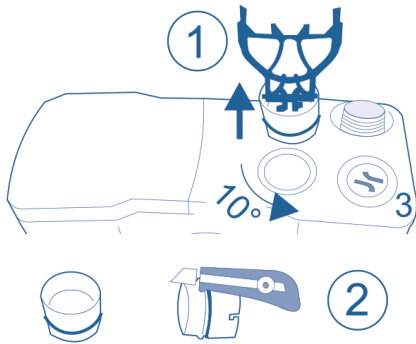
4. ▷ using a screwdriver, press the activated carbon out of the cover no. 1 and insert it into the cover no. 3



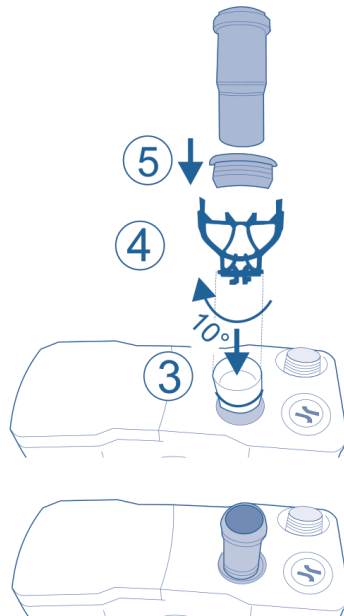
5. ▷ now put the cover no. 1 (without activated carbon) and cover no. 3 (with activated carbon) back to the respective position; when inserting, pay attention to the groove

4.6 ADDITIONAL CONNECTIONS

4.6.1 Upper connections



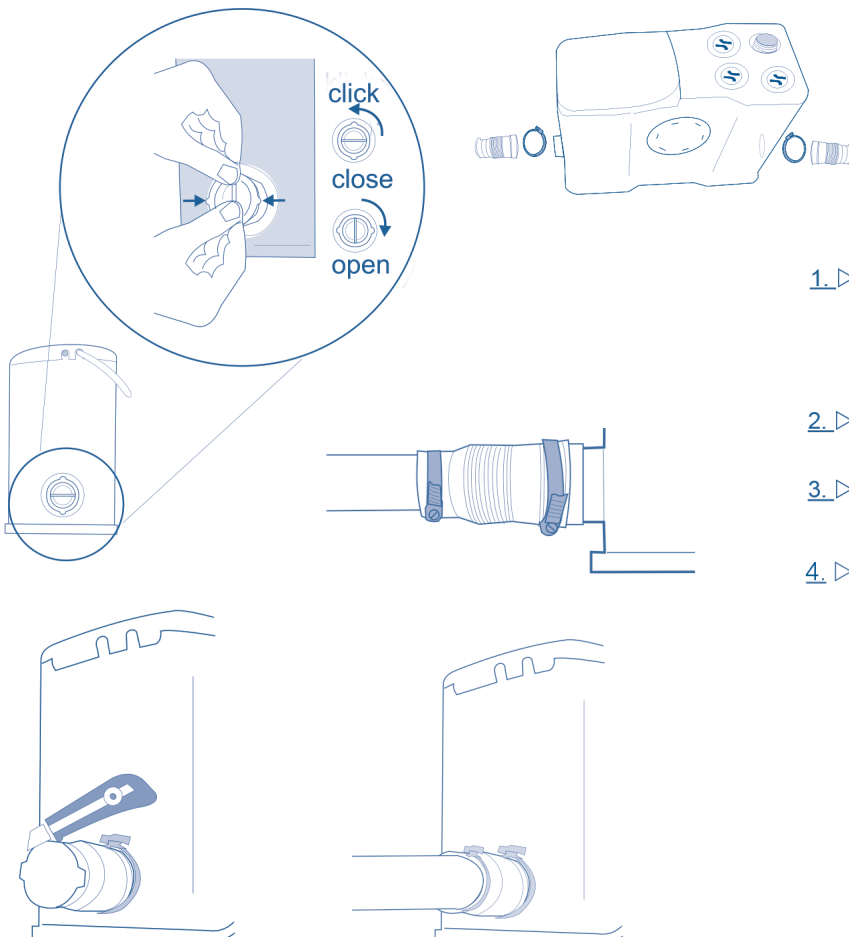
- 1.▷ by means of the special tool, now pull out the inner inlet; while doing so, turn the tool in the groove about 10° anti-clockwise and pull upward
- 2.▷ the inner inlet is still closed; using a cutter knife, cut open the bottom of the inlet



- 3.▷ insert the opened inner inlet by hand in the groove
- 4.▷ now with the special tool in the groove, tighten by turning it approx. 10° clockwise
- 5.▷ insert the seal and the supplied long sleeve HT DN 40 by hand

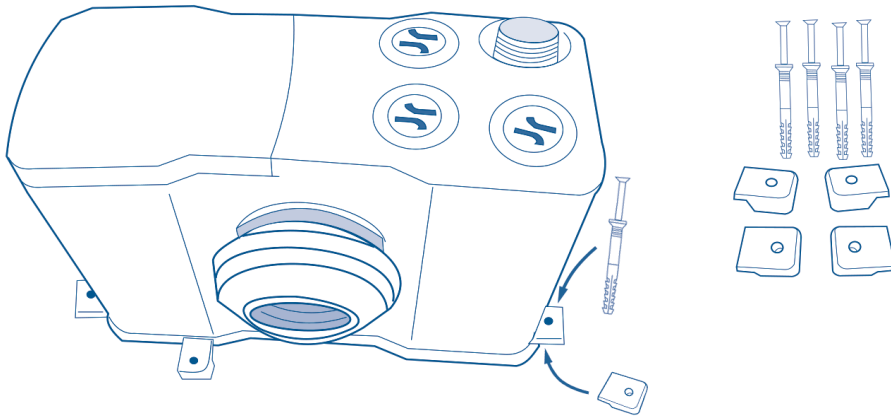
4.6.2 Lateral inlets

The lateral inlets for the connection of a shower:



- 1.▷ The "noses" on the lateral inlet cover must face to the left and right (horizontally); the cover can be removed by hand only in this position
- 2.▷ attach the supplied sealing sleeve DN 40 and the hose clip 40 - 60
- 3.▷ using a cutter knife, cut the sealing sleeve to the correct length or cut open
- 4.▷ then install the sealing sleeve with a hose clip 40 - 60 on the lateral inlet nozzle, and with a second hose clip 25 - 40, fasten the sealing sleeve and the inlet line of a shower, for example

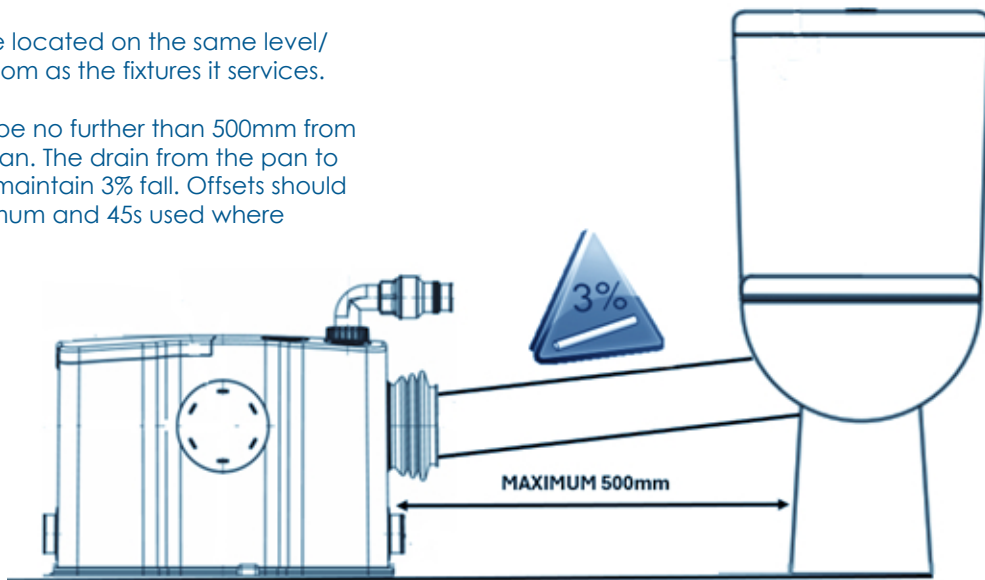
4.7 FIXING



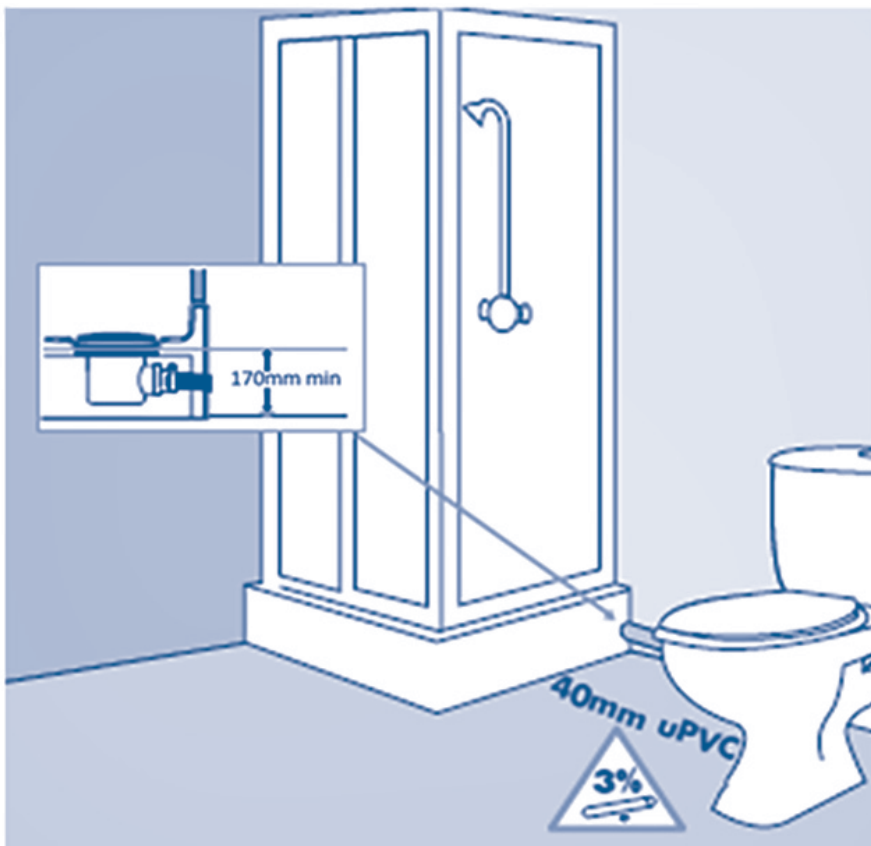
The pump can be firmly secured to the floor using the supplied fixation brackets and tap screws.

The pump **must** be located on the same level/ within the same room as the fixtures it services.

The pump should be no further than 500mm from the outlet of the pan. The drain from the pan to the pump should maintain 3% fall. Offsets should be kept to a minimum and 45s used where possible.



4.8 CONNECTING A SHOWER



When connecting a shower to the **Sanimulti** the shower must be elevated to a height of no less than 170 mm from the shower grate to the base of the pump on finished floor level whilst maintaining 1:40 or 3% gradient on the shower waste fixture line.

4.9 HIGH LEVEL CONTROL SANIALARM INTERLOCK CONNECTION (OPTIONAL)

Fig 1 shows **Sanialarm Interlock** has a socket connection marked «Quick plug float switch». Plug one end of supplied accessory lead to this connection, as indicated. Plug the other end of supplied lead to connection indicated on the pump (Fig 2). Finish connecting **Sanialarm Interlock** as per instructions supplied with alarm.

Fig 1:

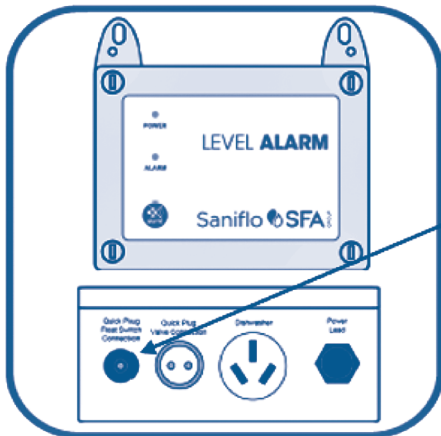
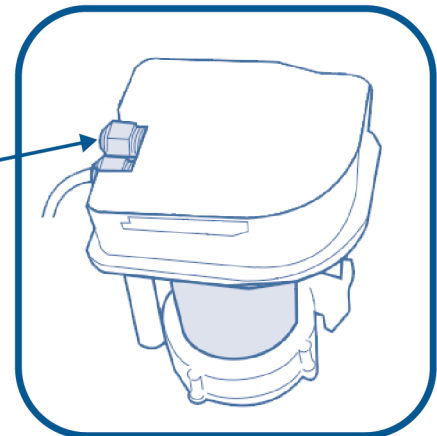


Fig 2:



5. TROUBLE SHOOTING GUIDE

⚡ For repair and maintenance works on the pump, always disconnect the power plug from the power socket.

| Malfunction | Cause | Troubleshooting |
|--|--|--|
| Motor does not run | Supply voltage missing | Check the socket Insert the power plug |
| | Cutting knife blocked | Remove/clear object, test run |
| | Motor overloaded | Thermal protection switches off the motor, in case of recurrence, remedy by qualified staff/customer service |
| | Control defective | Remedy by qualified staff/ customer service |
| | Motor defective | Replacement (customer service) |
| Motor runs, but waste will not discharge | Discharge pressure line blocked | Clear blockages, carry out test run |
| | Pump ventilation clogged | Pull off pump ventilation hose, clean hose and nozzle |
| | Check valve incorrectly installed | Rotate, check function |
| | Tank ventilation clogged | Replace activated carbon filter |
| Motor runs in short intervals | Ventilation clogged | Pull off pump ventilation hose, clean hose and nozzle |
| | Check valve leaking | Clean or replace check valve |
| | Cistern valve leaking | Rectify/replace |
| Motor makes loud foreign or rattling noise | Foreign object has got into the device | Remove/clear object, test run |
| Alarm sounds | Too high filling level | Check for power disconnection, blockages and contact Saniflo Technical for service/assistance |

6. WARRANTY

2 YEAR WARRANTY

This device is guaranteed for 2 years from the date of purchase and is subject to ACL (2) 2010 and NZ CG Act 1993 if used for personal, domestic and household use.

Installation in strict compliance with manufacturers installation.

Read more at:

AU - <https://www.saniflo.com.au/cms/49/warranty-conditions>

NZ - <https://www.saniflo.co.nz/cms/47/warranty-conditions>

WARRANTY CONDITIONS

This warranty will apply only under all of the following conditions:

- The item has been installed by a licensed plumber
- Failure is due to a fault in the manufacture of the product
- Proof of purchase (including the date of purchase) is provided
- The installation of the product is in accordance with the instructions provided.

