



APPLICATIONS



REFRIGERATOR



AIRCONDITIONER



ICE MACHINE

PRODUCT REFERENCE:
SA91

Sanicondens® Best Flat

The Sanicondens® Best Flat is specifically designed for disposal of condensate from air conditioning units, refrigeration units and is ideal for ice machines due to its low profile design.



TECHNICAL CHARACTERISTICS

Noise Level	45 dB
Motor Power	60 Watts
Flow Rate	342 L/h
Voltages	220-240 V/50 Hz
Tank Volume	3.5 L
Working Waste Water Temp	35°C/Max 80°C (intermittent)
Product Weight	2 kg
Overall Measurements	401 x 170 x 138 mm
Inlet Pipework	25/32 mm
IP Rating	IP20

WHY CHOOSE THIS PRODUCT?

3.5 L tank

Three entry points

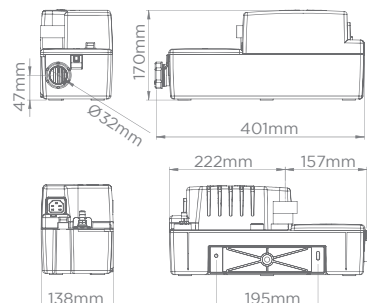
Working temperature of 35°C

Will handle temperatures up to 80°C for short periods (5 minutes)

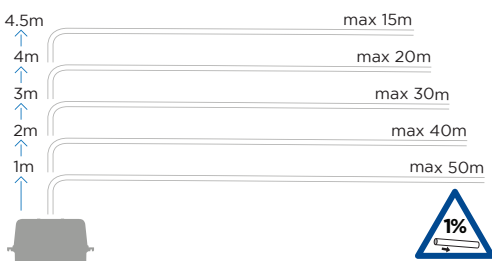
Supplied with 1.5 m power cable and 5m of discharge pipe

High level alarm connectivity

Low profile inlet connection

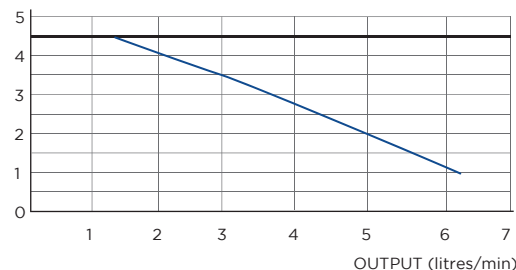


VERTICAL/HORIZONTAL PERFORMANCE



FLOW RATE PERFORMANCE CHART

Discharge height (m)



Shaking up water

Made in France to the highest standards, needs to be installed by a licensed plumber